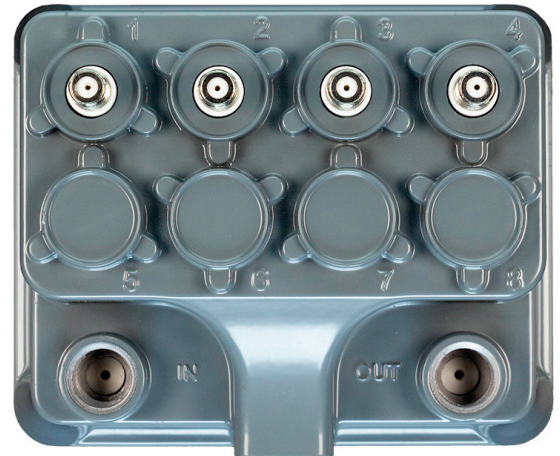


- **MoCA® filter - prevents MoCA® signals from travelling through the network and into neighbouring properties**
- **Robust aluminium housing with Alocrom conversion coating designed for extreme temperatures**
- **Double galvanic isolation to all subscriber ports**
- **All connections front accessible**



Overview

The DGOTX (double galvanic outdoor tap) series offers 8 and 4-way taps with a variety of tap losses from 8 dB to 23 dB dependent on the type of tap. These taps are designed for situations where galvanic isolation of the subscriber outlet in the home is not practical or cannot be retrofitted economically. Each output port is fully isolated and designed to comply with applicable safety sections of EN 50083 and EN 60065.

Equipped with a MoCA® 2.0 Point of entry filter, DGOTX taps reflect MoCA® signals between 1350 MHz and 1675 MHz back into the subscriber's home, preventing them from travelling through the network and into neighbouring properties.

The taps operate over a range of extreme temperatures and are particularly suited to Nordic countries. All connections are designed for top entry, allowing the units to be mounted in confined conditions such as covered pole mounts.

A range of accessories is available and includes mounting brackets and pole mount covers.

Modem Safe™

Modem Safe is a highly effective surge protection solution for sensitive network and in-home CPE. Based on passive circuits, the technology does not rely on discharge tubes, extending the lifespan of the solution.

- Blocks high and low voltage pulses and unwanted DC voltages
- Drives fewer reported faults
- Improves customer service
- Reduces truck rolls

Technetix CPD Safe™

CPD (Common Path Distortion) is well known for producing signal interference on the networks. It is caused by electrolytic corrosion or the oxidation of dissimilar metals when in close contact. Technetix CPD Safe™ technology protects against CPD:

- Removes a primary cause of CPD
- Reduces signal interference on the network
- Drives fewer reported faults
- Reduces truck rolls

Outdoor taps

4-way 1.2GHz double galvanic outdoor tap



Specifications

Parameter	Port(s)	MHz	8 dB	11 dB	14 dB	17 dB	20 dB	23 dB	Notes
Equipment passband		5 – 1218							
Insertion Loss (dB max)	In to out	10 – 65	N/A	4.0	2.0	1.5	1.3	1.1	
		65 – 300	N/A	4.3	2.2	1.9	1.5	1.2	
		300 – 550	N/A	4.7	2.7	2.1	1.7	1.7	
		550 – 750	N/A	4.7	3.0	2.3	1.9	1.8	
		750 – 862	N/A	5.0	3.3	2.5	2.1	2.0	
		862 – 1000	N/A	5.1	3.7	2.7	2.3	2.1	
		1000 – 1218	N/A	5.3	4.0	3.0	2.5	2.3	
Insertion Loss (dB max)	In to tap	10 – 65	9.0	12.5	15	18	21	24	
		65 – 860	9.5	12.5	15.5	18	21	24.5	
		860 – 1218	9.5	13	16	18.5	21.5	25	1
Return loss (dB min)	All ports	10 – 15	16	16	16	16	16	18	
		15 – 47	18	18	18	18	18	18	
		47 – 950	18	18	18	18	18	18	2
		950 – 1218	10	10	10	10	10	10	
Isolation (dB min)	Tap to tap	10 – 15	20	20	20	22	22	22	
		15 – 65	25	22	25	26	26	26	
		65 – 860	25	22	25	26	26	26	3
		860 – 1218	20	20	20	20	20	20	
		1350 – 1400	35	35	35	35	35	35	
		1400 – 1675	40	40	40	40	40	40	
Directivity (dB min)	Out to tap	10 – 15	N/A	20	24	26	29	32	
		15 – 65	N/A	22	29	30	33.5	35	
		65 – 860	N/A	25	27	27	28	30	
		860 – 1218	N/A	20	22	23	25	27	
		1350 – 1400	N/A	30	30	30	30	30	
		1400 – 1675	N/A	35	35	35	35	35	

Specifications (cont.)

Parameter	Port(s)	MHz	8 dB	11 dB	14 dB	17 dB	20 dB	23 dB	Notes
Screening effectiveness (dB min)	0°C to +35°C	15 – 30	85						4
		30 – 300	85						
		300 – 470	80						
		470 – 950	75						
		950 – 1675	55						
Screening effectiveness (dB min)	-35°C to +45°C	15 – 30	75						4
		30 – 300	75						
		300 – 470	75						
		470 – 950	65						
		950 – 1675	50						
MoCa® frequency range		1350 – 1675							
AC leakage current (mA, max)		240 V @ 50/60 Hz	8.0						
Galvanic Isolation		Inner (I/P) - Inner (O/P) Outer (I/P) - Outer (O/P)	0.7						
Power passing (Amps AC/DC)			10						5
Hum modulation (dB, typ)	All ports		-65						6
Surge class conformance	All ports		1kV						7
Impedance (Ohm, typ)			75						
Equipment approval			CE						

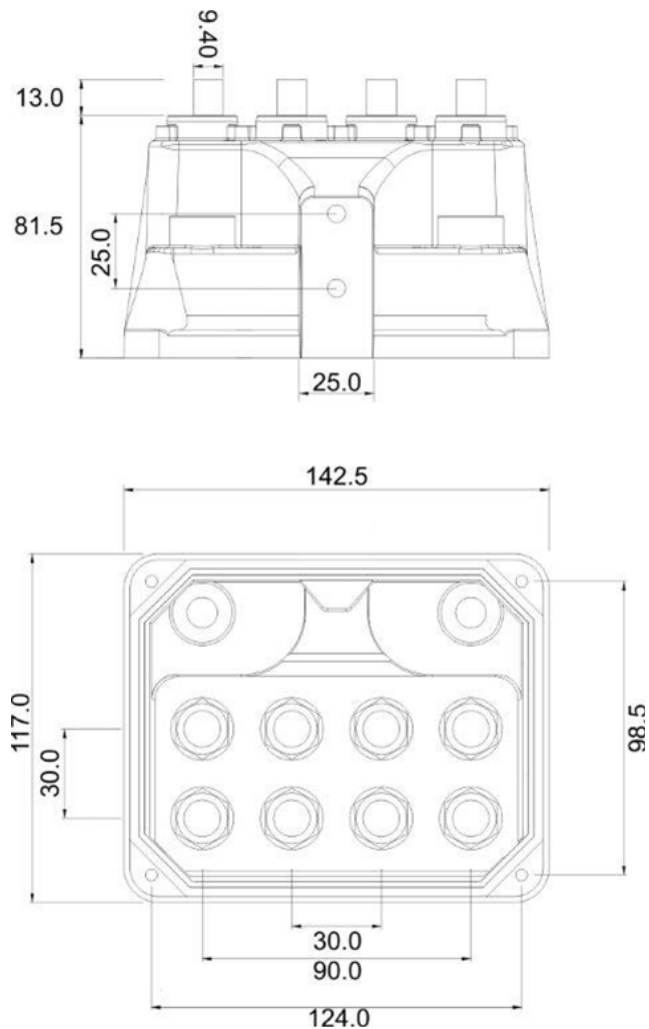
Notes

1	0.3 dB deviation allowance due to filter tolerances
2	F > 40 MHz -1.5 dB/oct
3	F > 40 MHz -1.5 dB/oct No greater than -20 dB
4	Tested according to EN 50083-2 2012
5	Range between 30-90 VAC/VDC
6	Measured at 7A (Test set-up in accordance to ANSI-SCTE-16)
7	IEEE-C62. 14, combination wave, category B1 (rise time 1.2 μS / fall time 50 μS). No degradation allowed

Mechanical and environmental specifications

Parameter		Specification
Connectors	In/Out	5/8"-24 NEF-female
	Tap	F-female
Material	Housing	Painted die-cast aluminium with tri-valent chromate base layer, RAL-7005 paint top layer.
	F-Spring	NiSN plated beryllium copper
Dimensions (mm)	L x H x D	142.5 x 117.0 x 94.5
Temperature range	Operating	-35 to +45°C
	Storage	-40 to +60°C
	Specification	+20 to +25°C
Degree of protection provided by the enclosure	BS EN 60529 1992	IP68, 1 meter immersion 1 week duration
Salt fog	BS EN 60068-2-52 1996, test Kb, salt mist cyclic	Severity 5 (672 hrs)
Drop	The unpackaged device under test (DUT) must be able to withstand a 1metre drop from all 6 planes using a test device such as the Accudrop series drop tester dropping to a cement floor.	Device shall survive without degradation in electrical performance and without allowing breaks in back plate or F-port seals
UV	UV testing conducted as per ASTM G154for 1000 hours using UVA-340 lamps, or ASTM G53 for 500 hours using UVB-313lamps.	Samples shall be rotated 90o every 125 hours. A repetitive cycle of 4 hours UV at 60 °C followed by 4 hours condensation at 50 °C shall be used resulting in a total test time of 1000 hours.
Temperature cycle	ANSI/SCTE 153 2008	15 cycles of: 2 hrs at the low limit -40°C, 1hr transition to high limit +60°C at 95%RH, wait 2 hrs then 1 hr transition to low limit. The device must meet all performance requirement during and after test.
Deep heat cyclic	60068-2-30:2005 Test Db damp heat cyclic (12hr + 12hr)	55 °C, 6 cycles, 95% RH
Vibration	BELLCORE GR-2873-CORE	The sample shall be subjected to simple harmonic motion having vertical amplitude of 0.762mm (0.03"), the frequency varying uniformly between 10 Hz and 55 Hz for 20 minutes. The entire frequency range from 10 to 55 Hz and back to 10 Hz shall be traversed in one minute.

Mechanical and environmental specifications



Order information

Item number	Item code	Description
19008060	DGOTX-4-8/MT	4 WAY OD ISOLATED TAP 8DB MOCA TERMINATED
19008061	DGOTX-4-11/MP	4 WAY OD ISOLATED TAP 11DB MOCA PWR PASS
19008062	DGOTX-4-14/MP	4 WAY OD ISOLATED TAP 14DB MOCA PWR PASS
19008063	DGOTX-4-17/MP	4 WAY OD ISOLATED TAP 17DB MOCA PWR PASS
19008064	DGOTX-4-20/MP	4 WAY OD ISOLATED TAP 20DB MOCA PWR PASS
19012955	DGOTX-4-23/MP	4 WAY OD ISOLATED TAP 23DB MOCA PWR PASS