

XQT-TP2 4-way tap



- **High quality 4-way tap**
- **Modem Safe™ surge protection and intermodulation reduction solution**
- **Ingress Safe™ - unique passive ingress reduction technology**
- **Superior return loss and isolation performance**
- **CPD Safe™ - NiSn plated housing and silver plated beryllium copper F-inner spring**
- **Easy to install - compact flat or side mounting**
- **Exceeds EN Class A screening requirements**



Overview

The XQT-TP2 series offers 4-, 6- and 8-way, low loss combining/dividing units. Directional couplers are provided for the downstream bandwidth and a symmetrical Ingress Safe splitter for the upstream. F-female connectors are provided for all ports.

Products within the series excel both in electrical and mechanical performance. Though designed for use within indoor environments, they are also specified for use within street-side plant. The products are easy to install with a compact housing that can be flat or side mounted. All F-connector contacts meet the SCTE standards (ANSI SCTE 02-2006). The material of the inner spring has been designed for connecting coax cables with an inner core of 0.56 to 1.30 mm. It retains this elasticity and provides effective clamping force even when varying thicknesses of inner conductor are connected in succession.

The intermodulation performance, which is an important factor in high level return path signals, has been greatly improved through a newly developed ferrite and specially designed circuits. The high frequency shielding exceeds Class A requirements (EN-50083-2:2006) over the whole frequency range from 5 MHz to 1000 MHz.

Ingress Safe

Our patented Ingress Safe technology uses a phase cancellation technique to considerably reduce ingress created within the home. It has no adverse effect on the CATV spectrum and is transparent to the forward and reverse path signals.

- Significantly reduces noise on CATV networks, improving network performance
- Field tests show Ingress Safe units in the distribution

network can deliver improvement in the carrier to noise ratio that averages from between 3 dB and 12 dB, depending on the network topology

- Prevents or delays the need to deploy technicians to rectify faults caused by the cumulative effects of ingress on network performance and customer service.

Modem Safe

Modem Safe is a highly effective surge protection solution for sensitive network and in-home CPE. Based on passive circuits, the technology does not rely on discharge tubes, extending the lifespan of the solution.

- Blocks high and low voltage pulses and unwanted DC voltages
- Prevents internal ferrites within the product from becoming magnetised (avoiding deterioration in the performance of CPE)
- Drives fewer reported faults
- Improves customer service
- Reduces truck rolls

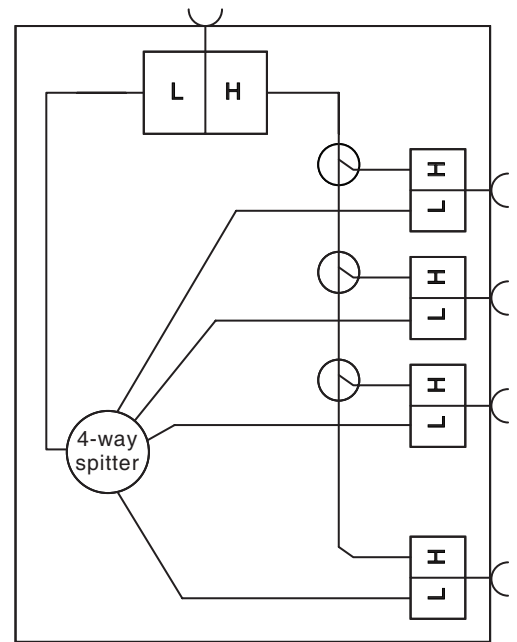
CPD Safe

CPD (Common Path Distortion) is well known for producing signal interference on networks. It is caused by electrolytic corrosion or the oxidisation of dissimilar metals when in close contact. CPD Safe technology protects against CPD.

- Removes a primary cause of CPD
- Reduces signal interference on the network
- Drives fewer reported faults
- Reduces truck rolls
- Improves customer service

Specifications

		MHz	Typ	Max
Insertion loss (dB)	In to Out 1	5 - 65	8.0	9.0
		85 - 550	12.7	14.0
		550 - 1006	12.6	14.0
	In to Out 2	5 - 65	8.1	9.0
		85 - 550	13.6	15.0
		550 - 1006	13.3	15.0
	In to Out 3	5 - 65	7.7	9.0
		85 - 550	15.0	16.0
		550 - 1006	14.5	16.0
	In to Out 4	5 - 65	7.7	9.0
		85 - 550	14.0	16.5
		550 - 1006	15.0	16.5
Return loss (dB, typ)	All ports	5 - 65	24.4	
		85 - 550	21.7	
		550 - 1006	19.8	
			Typ	Min
Isolation (dB)	Tap to Tap	5 - 65	38.8	26.0
		85 - 550	40.0	34.0
		550 - 1006	38.4	30.0
Screening efficiency (dB) ¹		5 - 300	>95	
		300 - 470	>90	
		470 - 950	>85	
		950 - 1000	>85	
Shielding effectiveness (dBi) ²		5 - 300	Avg 130	
		300 - 1000	Avg 120	
Ingress Safe	Out	Ports 1&2		
Intermodulation p+q (dBc, min) ³		-115		
Surge Class conformance ⁴	All ports	1 kV 1.2/50µs		
Connectors	All ports	F-female		
Material ⁵	Housing	NiSN plated zinc die-cast		
	F-spring	Silver plated Beryllium copper		
Impedance (Ohm, typ)		75		
Dimensions (mm)	L x H x D	132.3x49.2x36.8		
Equipment Approval	CE			



Remarks

- 1 Tested according to EN 50083-2 2006
- 2 Tested according to SCTE IPS-TP-403
- 3 Two carriers (50 & 55MHz), out to in, @ 120dBµV, after 10 pulses (25V/1,2µS rise time/500µS duration) at all ports
Two carriers (50 & 55MHz), out to in, @ 120dBµV, after 1 pulse 1KV (1,2µS risetime/50µS fall time) at Input.
- 4 Tested according to IEC 61000-4-5 2005
- 5 F-spring silver plated. F-spring test gauge accepts 0.56 mm min to 1.2 mm max
DC power blocking all ports

Ordering information

Item Name	Article number
XQT-TP2-4	19003001

Measurements taken at room temperature

© Copyright 2011 Technetix Group Limited. All rights reserved.

This document is for information only. Features and specifications are subject to change without notice. Technetix, the Technetix logo, Ingress Safe, Modem Safe and certain other marks and logos are trade marks or registered trade marks of Technetix Group Limited in the UK and certain other countries. Other brand and company names are trade marks of their respective owners. Technetix protects its technology and designs by registering patents, trade marks and designs in Europe and certain other countries.