

XC-EQ1, XC-EQ2, XC-EQ3, XC-EQ4, XC-EQ5



- Frequency range from 5 MHz to 65 MHz
- CPD Safe® - NiSn plated tubular brass housing, connectors, F-male pin and F-female tulip spring
- Exceeds IEC Class A screening requirements
- Superior return loss specification
- F-female tulip spring accepts 0.56 mm to 1.15 mm test gauges



Overview

The XC-EQ series consists of five return path equalisers which operate over the 5 MHz to 65 MHz frequency range. Offering varying levels of slope adjustment, rising in steps of 1 dB from 1dB through to 5 dB, their return loss performance remains high across the frequency range.

The tulip female contact is designed for connecting coaxial cables with an inner conductor of between 0.56 mm and 1.15 mm. It retains this elasticity, providing effective clamping force even when varying thicknesses of inner conductor are connected in succession.

IEC Class A screening

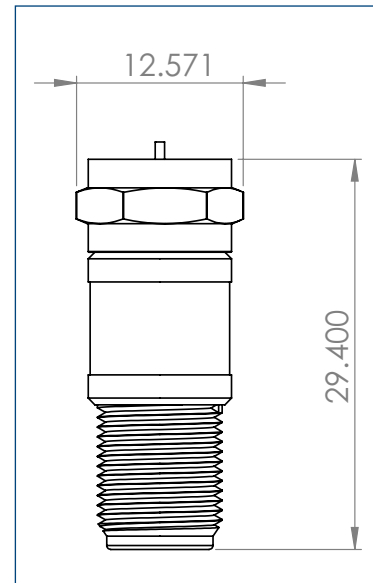
- The shielding performance of the XC-EQ series exceeds Class A requirements (IEC 60728-2 2010) over the whole frequency range from 5 MHz to 1006 MHz

CPD Safe

- Tubular brass housing, connectors, F-male inner pin and F-female tulip spring are all NiSn plated to protect against the oxidisation of dissimilar metals within connectors. The tulip female contact is made of beryllium copper which combines resilience with non-magnetic qualities.
- Removes a primary cause of CPD (Common Path Distortion).
- Reduces signal interference on the network.
- Results in fewer reported faults.
- Improves customer service.
- Reduces truck rolls.

XC-EQ1, XC-EQ2, XC-EQ3, XC-EQ4, XC-EQ5**Specifications**

		MHz	Min	Max	Typ
Frequency range		5 - 65			
Insertion loss (male to female)	XC-EQ1	5	1.0 dB	1.4 dB	1.2 dB
		15	0.8 dB	1.2 dB	1.0 dB
		65	0.0 dB	0.5 dB	0.25 dB
	XC-EQ2	5	1.9 dB	2.3 dB	2.1 dB
		15	1.3 dB	1.7 dB	1.5 dB
		65	0.0 dB	0.5 dB	0.25 dB
	XC-EQ3	5	3.2 dB	3.6 dB	3.4 dB
		15	2.1 dB	2.5 dB	2.3 dB
		65	0.0 dB	0.5 dB	0.25 dB
	XC-EQ4	5	4.2 dB	4.6 dB	4.4 dB
		15	2.5 dB	2.9 dB	2.7 dB
		65	0.0 dB	0.5 dB	0.25 dB
	XC-EQ5	5	5.2 dB	5.6 dB	5.4 dB
		15	3.1 dB	3.5 dB	3.3 dB
		65	0.0 dB	0.5 dB	0.25 dB
Return loss (male and female)		5-65	22 dB		
Screening efficiency ¹		5 - 300	85 dB		
		300 - 470	80 dB		
		470 - 950	75 dB		
		950 - 1006	55 dB		
Connectors	Inputs: F-female ² Outputs: F-male (brass with NiSn plating)				
Connector spring	F-female (BeCu tulip with NiSn plating)				
F-connector torque				7Nm	
Housing	Brass with NiSn plating				
Impedance					75 Ohm

**Remarks**

- 1 According to IEC 60728-2 2010 (5 - 30 MHz)
- 2 ANSI/SCTE-02 compliant

Ordering information

Item Name	Article number
XC-EQ1-1	19002989
XC-EQ1-2	19002990
XC-EQ1-3	19002991
XC-EQ1-4	19002992
XC-EQ1-5	19002993

© Copyright 2015 Technetix Group Limited. All rights reserved.

This document is for information only. Features and specifications are subject to change without notice. Technetix, the Technetix logo, Ingress Safe, Modem Safe and certain other marks and logos are trade marks or registered trade marks of Technetix Group Limited in the UK and certain other countries. Other brand and company names are trade marks of their respective owners. Technetix protects its technology and designs by registering patents, trade marks and designs in Europe and certain other countries.