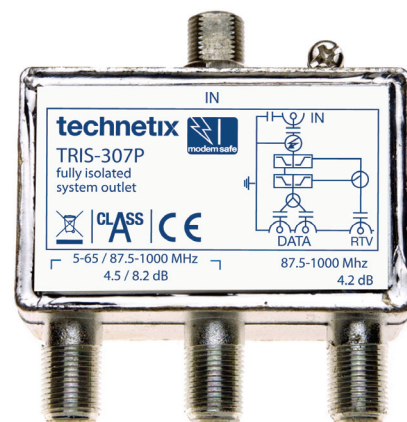


TRIS-307P fully isolated wall outlet



- **Three output isolator - 2 x data, 1 x TV**
- **Modem Safe™ surge protection and intermodulation reduction solution**
- **Silver plated, zinc die-cast housing and silver plated, machined brass input connector with silver plated F-inner spring**
- **Diplex filters for low loss**
- **Good intermodulation performance**
- **Low leakage current**



Overview

Isolators (frequently referred to as system outlets) are used to separate in-home installations or subscriber equipment from the CATV network. They prevent hazardous voltages from being transferred to in-home installations.

Technetix supplies two main types of isolator - fully and semi-isolated system outlets. The TRIS series comprises fully isolated system outlets developed to meet the needs of the European market. They incorporate high voltage capacitors that provide isolation to both the inner and the outer conductors of the coaxial connectors. There are a variety of one, two and three port isolators in the TRIS series as well as many accessories such as ABS housings, adaptor plates and push-on filters.

The TRIS-307P three output isolator has a silver plated, zinc die-cast housing and a silver plated, machined brass input connector. The inner spring of the connector has been designed to accept coax cables with an inner conductor of between 0.51 and 1.20 mm. It retains this elasticity and provides effective clamping force even when varying thicknesses of inner conductor are connected in succession.

Modem Safe

Modem Safe is a highly effective surge protection solution for sensitive network and in-home CPE. Based on passive circuits, the technology does not rely on discharge tubes, extending the lifespan of the solution.

- Blocks high and low voltage pulses and unwanted DC voltages
- Prevents internal ferrites within the product from becoming magnetised (avoiding deterioration in the performance of CPE)
- Drives fewer reported faults
- Improves customer service
- Reduces truck rolls

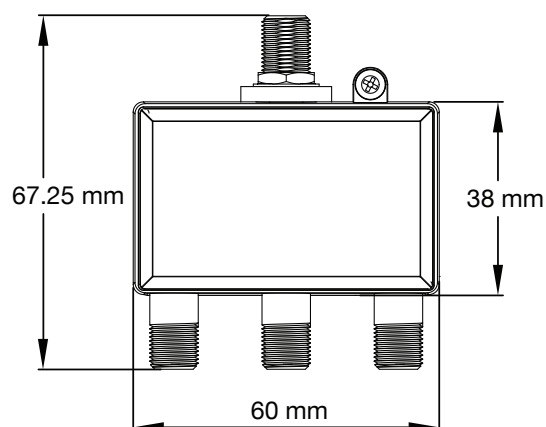
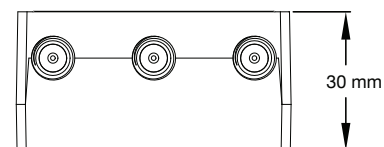
TRIS-307P fully isolated wall outlet

Specifications

		MHz	Min	Max
Equipment passband		5 - 1000		
Insertion loss (dB)	Data	5 - 65	3.2	5.5
		87.5 - 862	6.2	9.2
		862 - 1000	7.0	9.5
	RTV	5 - 65	30.0	n/a
		87.5 - 862	3.1	5.0
		862 - 1000	3.6	5.4
Return loss (dB, min)	All ports	5 - 65	18.0	
		87.5 - 862	18.0	
		862 - 1000	18.0	
Isolation (dB, min)	R/TV -> Data	5 - 65	30.0	
		87.5 - 862	20.0	
		862 - 1000	20.0	
Screening efficiency (dB, min) ¹		8 - 10	70.0	
		10 - 12	80.0	
		12 - 300	85.0	
		300 - 470	80.0	
		470 - 1000	75.0	
Galvanic isolation 2120 V DC (mA, max) ²	Inner (input) - Inner (output)	0.2		
	Outer (input) - Outer (output)	0.2		
Galvanic isolation 230 V AC (mA, max) ²	Inner (input) - Inner (output)	2.0		
	Outer (input) - Outer (output)	2.0		
Intermodulation p+q (dB, min)	No surge ³	-110.0		
	25 V surge ⁴	-110.0		
	1 kV surge ⁵	-110.0		
Surge Class conformance ^{6,7}		1 kV 1.2/50µS		
Connectors ⁸	All ports	F-female		
Material	Housing	Silver plated zinc die-cast		
	F-spring	Silver plated beryllium copper		
Impedance (Ohm, typ)		75		
Dimensions (mm)	L x H x D	60.0x38.0x30.0		
Equipment approval		CE		

Remarks

- | | |
|---|--|
| | All specifications are measured at room temperature |
| | Operating frequency range 10 to 1000 MHz |
| 1 | Test methods for frequencies according to EN 50083-2 2006.
Operating frequency ranges: 10-1000 MHz according to IG 56620 01 |
| 2 | Tested according to EN 60728-11 2005 |
| 3 | Two carriers (60 and 65 MHz) output to output @ 120 dBµV/60dBmV, before surge |
| 4 | Two carriers (60 and 65 MHz) output to output @ 120 dBµV/60dBmV, after 10 pulses (25 V/1.2µs rise time/500µs duration) at input port |
| 5 | Two carriers (60 and 65 MHz) output to output @ 120 dBµV/60dBmV, after 1 pulse (1 kV 1.2µs/50µs, IEC 61000-4-5 2005 level 2) at input port |
| 6 | Tested according to IEC 61000-4-5 2005 |
| 7 | Additional protection via Modem Safe circuit allows a maximum output of 35 V |
| 8 | F-spring test pin acceptance 0.51mm min to 1.2mm max |



Ordering information

Item Name	Article number
TRIS-307P	19002431