

# NCC-1222G

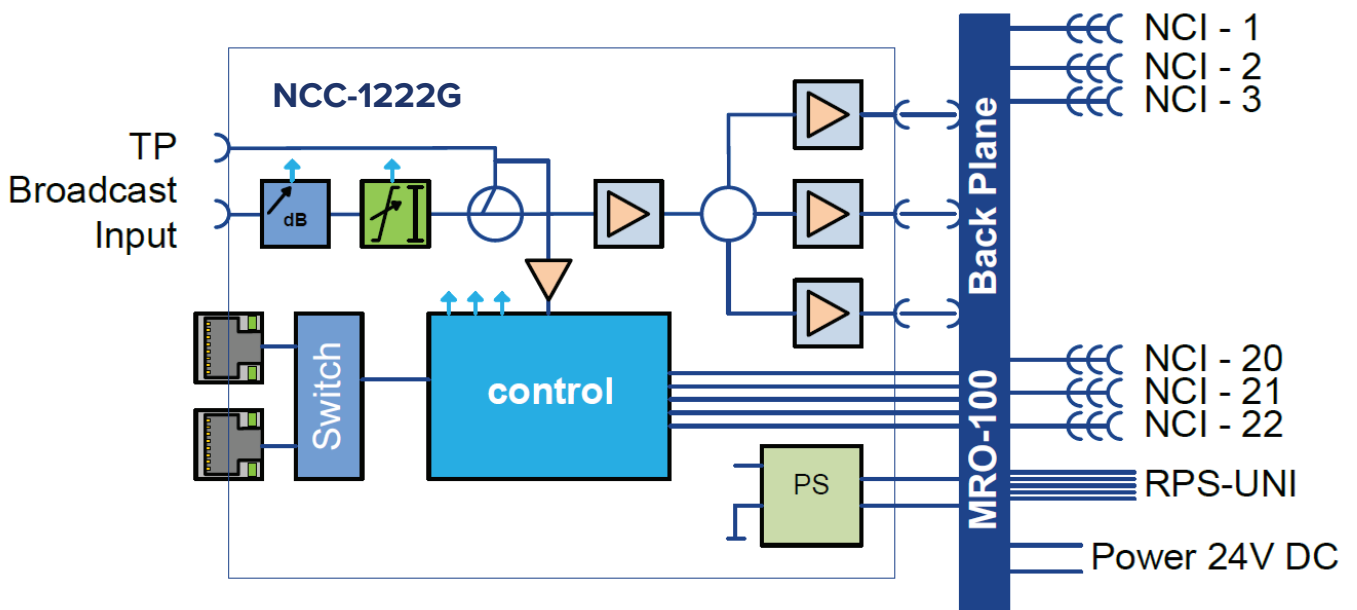
- Dual ethernet connections for local and remote communication
- Integrated web browser for controlling up to 22 x NCI-521s
- Single broadcast RF input
- Automatic monitoring of all narrowcast inserters and broadcast RF level
- SNMP traps generated on various alarms
- Integrated broadcast amplifier
- Monitoring of RPS-UNI power supply



## Overview

The NCC-1222G is a controller combined with a broadcast amplifier and splitter and is used as part of the narrowcast inserter solution from Technetix. The unit monitors the RF level of the broadcast signal, the alarm from the Technetix RPS-UNI power supply and controls up to 22 NCI-521 narrowcast inserters. All settings and controls can be operated via the built-in web browser. All functions and alarms can be operated remotely via SNMP and SNMP traps can be generated.

A GaAs pHEMT amplifier is used for high CSO and CTB figures. A 20 dB broadcast test point is located on the front panel along with a single broadcast RF input. The RF connections are made with high quality F connectors. The use of high quality ferrite ensures very low passive intermodulation, so the NCC-1222G is fully prepared for DOCSIS 3.x and channel bonding applications.



## Specifications

		MHz	Min	Typ	Max
Frequency range (MHz)			40		1006
Return loss (dB) <sup>1</sup>	Broadcast input / Testpoint	40 - 1006	22.0		
	Broadcast output	40 - 1006	17.0	18.0	
Gain (dB) <sup>2</sup>	Broadcast input to Broadcast output 1 to 3		20.0	20.5	21.5
Input level (dBμV)	Broadcast			78.0	108
Test point	w.r.t. Broadcast input		19.5	20	20.5
Flatness (dB)	All ports	40 - 862		± 0.25	±0.5
		862 - 1006		± 0.5	±1.0
Input attenuator (dB) <sup>3</sup>			0		30.0
Input equaliser (dB) <sup>3</sup>			0		10.0
Noise figure (dB) <sup>2</sup>				8.0	9.0
CSO (dBc)	42 channels @ 99 dBμV output			-70.0	-65.0
CTB (dBc)	42 channels @ 99 dBμV output			-70.0	-65.0
Supply voltage (V)			15	24	26
Supply current (mA)				270	350
Temperature range (°C)			5		45
			0		55
			-20		85
Humidity (%)			5		95
Connectors <sup>4</sup>	Input Outputs Test point Monitoring I/O Ethernet I/O	F-female 3 x F-female F-female PCB edge connector 2 xRJ-45			
EMC <sup>5</sup>	5 MHz < F < 300 MHz 85 dB 300 MHz < F < 470 MHz 80 dB 470 MHz < F < 950 MHz 75 dB 950 MHz < F < 1006 MHz 55 dB				
Dimensions	H x W x D	3RU x 7TE x 100 mm			
Equipment Approval	CE, RoHS				

### Other related products

<a href="#">NCI-521</a>
<a href="#">NCI-521-12</a>
<a href="#">MRO-100/BP</a>
<a href="#">RPS-UNI</a>
<a href="#">PSA-xxx xx</a>
<a href="#">RCP-35</a>
<a href="#">RCP-70</a>

### Remarks

1	At F = 40 MHz F > 40 MHz -1.5 dB/octave
2	With step attenuator and step equaliser set to 0 dB
3	Attenuator and equaliser set in steps of 0.5 dB
4	F connectors according to IEC 169-24 inner contact = 0.7 to 1.3 mm Tin Nickel plated
5	According IEC 50083-2 2006 4.3.3.1 to 4.3.3.3 unit is RoHS compliant

### Ordering information

Item Name	Article number
NCC-1222G	11551223

© Copyright 2016 Technetix Group Limited. All rights reserved.

This document is for information only. Features and specifications are subject to change without notice. Technetix, the Technetix logo, Ingress Safe, Modem Safe and certain other marks and logos are trade marks or registered trade marks of Technetix Group Limited in the UK and certain other countries. Other brand and company names are trade marks of their respective owners. Technetix protects its technology and designs by registering patents, trade marks and designs in Europe and certain other countries.

Technetix Group Limited